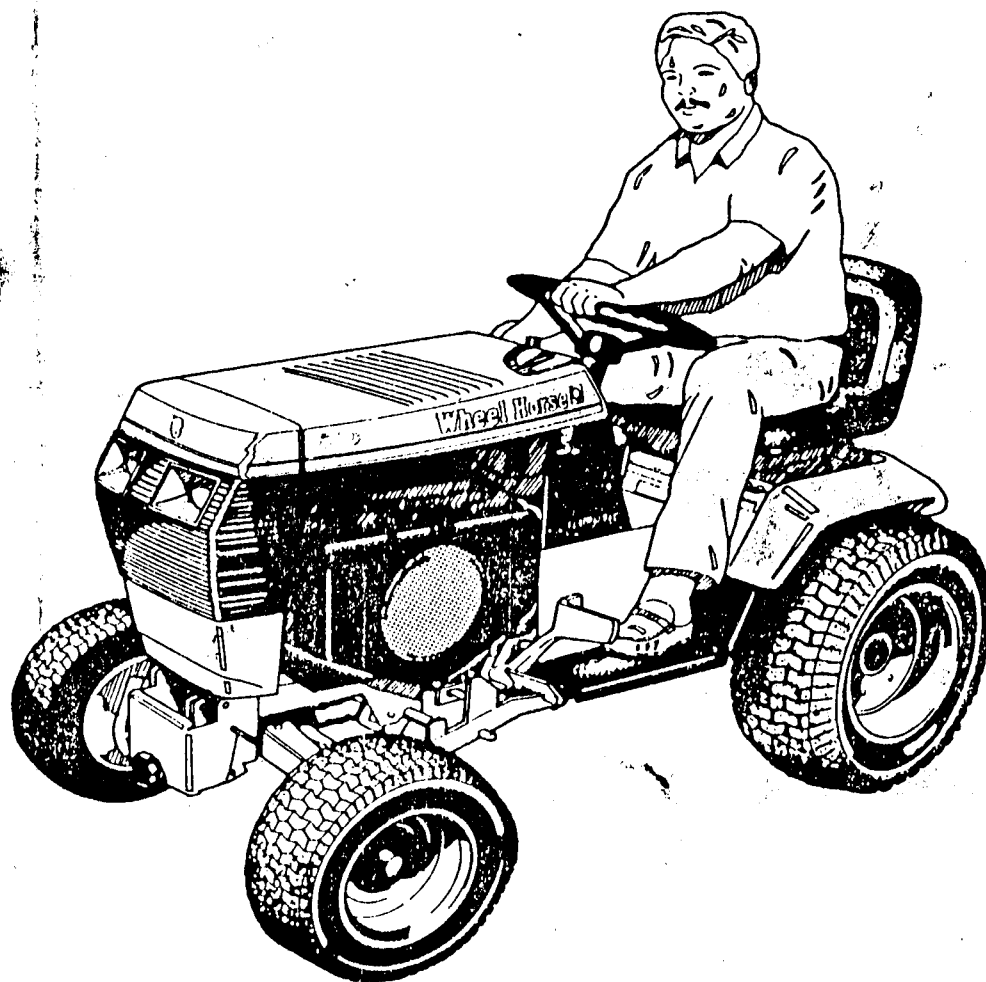


Parts Manual

512 D



Wheel Horse

SECTION 1 - FRAME

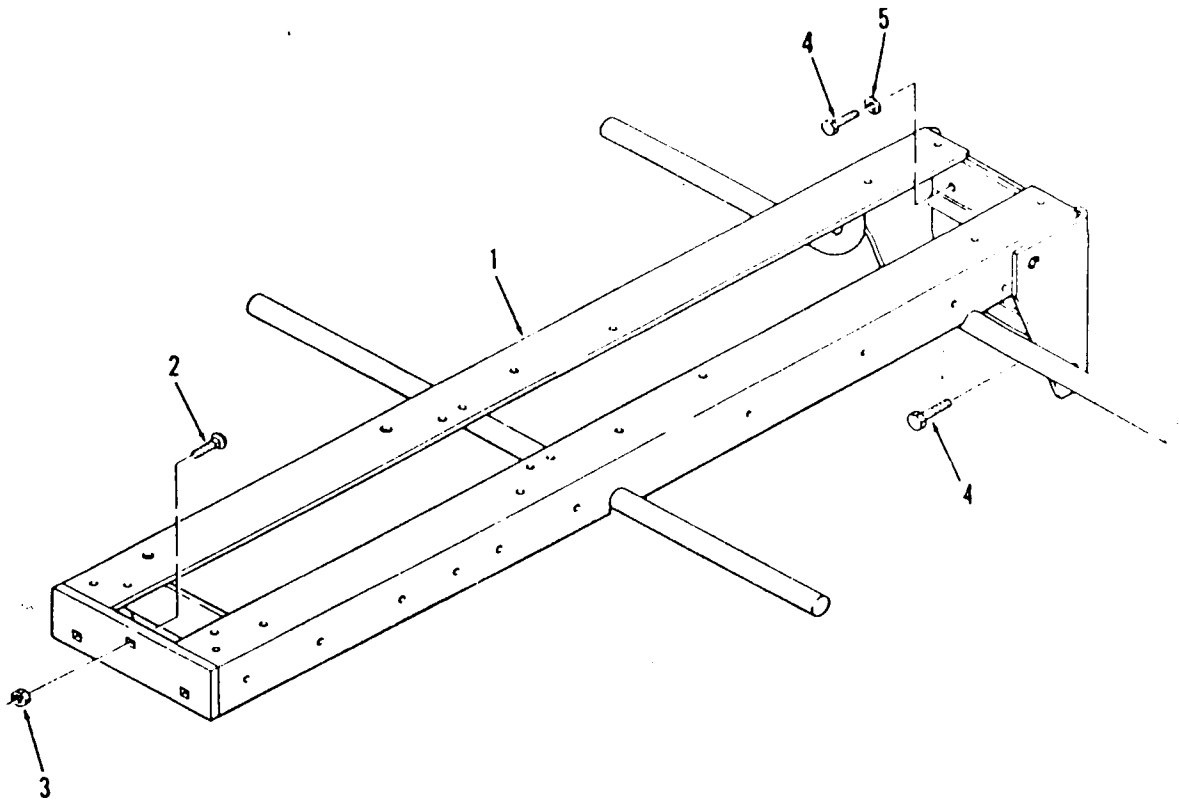


Figure 1-1 Frame

SECTION 1 - FRAME

ITEM	PART NUMBER	DESCRIPTION	8-Speed
		Figure 1-1 FRAME	
1	110648	Frame.....	1
2	900063	Carriage Bolt 3/8-16 x 1.....	3
3	915113	Eslok Nut 3/8-16.....	3
4	908032	Bolt 3/8-16 x 3/4.....	4
5	920083	Lockwasher 3/8.....	4

SECTION 3 - 8-SPEED TRANSMISSION

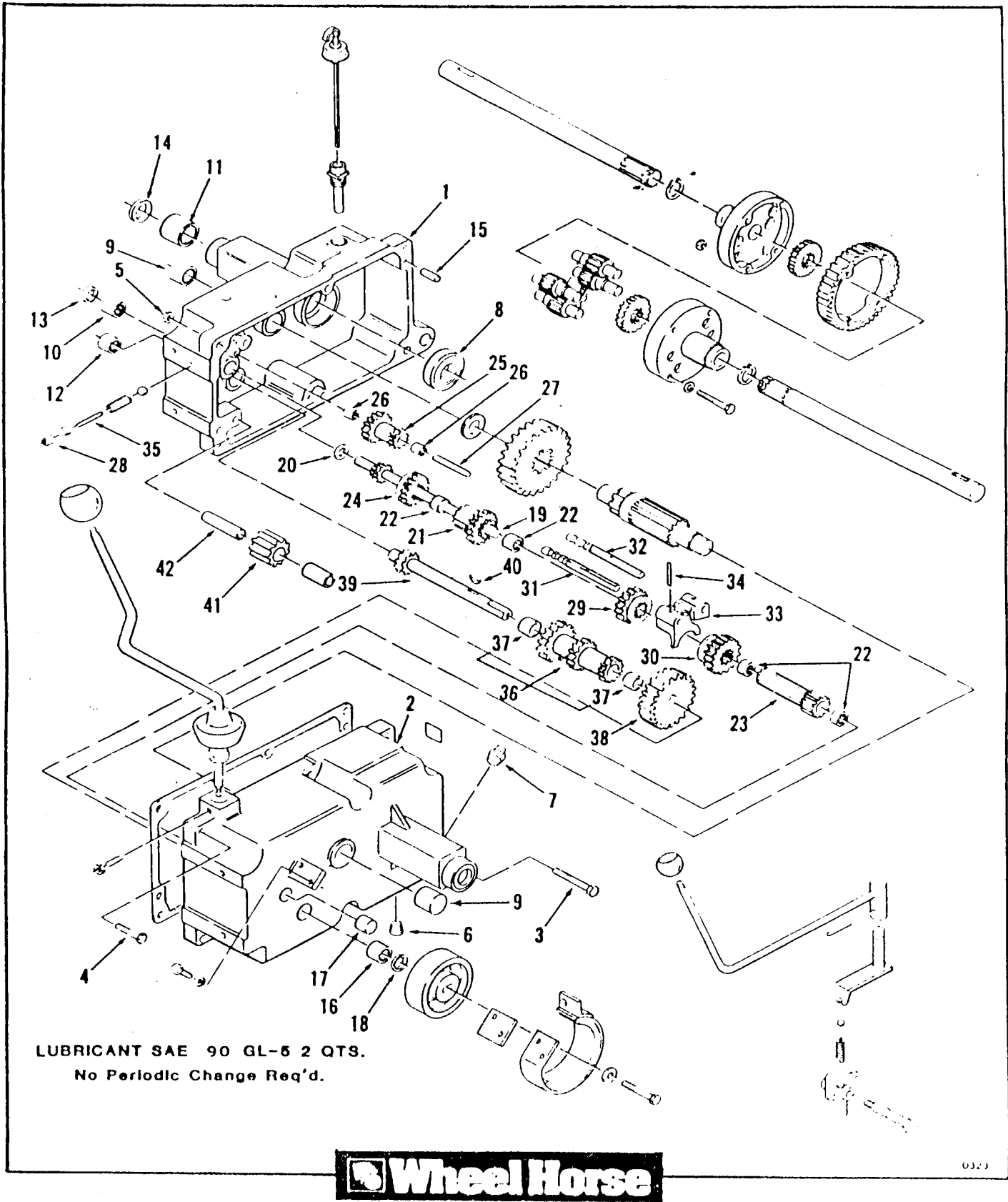


Figure 3-1 Mechanical Transmission - 8-Speed

SECTION 3 - 8-SPEED TRANSMISSION

ITEM	PART NUMBER	DESCRIPTION	8-Speed
		Figure 3-1 MECHANICAL TRANSMISSION - 8-SPEED	
	110996	Assembly 8-Speed Transmission 300-Series Only.	1
	110995	Assembly 8-Speed Transmission 400-Series Only.	1
1	111204	Case-Trans. RH 300-Series Only.....	1
	111200	Case-Trans. RH 400-Series Only.....	1
2	111203	Case Trans. LH 300-Series Only.....	1
	111198	Case-Trans. LH 400-Series Only.....	1
3	908043	Bolt 3/8-16 x 3 1/2.....	1
4	908038	Bolt 3/8-16 x 2.....	5
5	915113	Eslok Nut 3/8-16.....	6
6	943460	Allen Hd. Pipe Plug 1/4.....	1
7	943420	Sq. Hd. Pipe Plug 3/8.....	1
8	111199	Ball Brg. 40mm I.D.	2
9	1532	Needle Bearing 1 I.D.	2
10	1542	Needle Bearing 5/8 I.D.	1
11	1528	Needle Bearing 1 I.D. 300-Series Only.....	2
	9416	Needle Bearing 1 1/8 I.D. 400-Series Only.....	2
12	1529	Needle Bearing 3/4 I.D.	1
13	100442	Seal-Input Shaft 5/8 I.D.	1
14	100863	Seal-Axle 1 I.D. 300-Series Only.....	2
	100443	Seal-Axle 1 1/8 I.D. 400-Series Only.....	2
15	3915	Locating Pin.....	2
16	1523	Needle Bearing 3/4 I.D.	1
17	1531	Needle Bearing 5/8 I.D.	1
18	100441	Seal-Brake Shaft 3/4 I.D.	1
19	7201	Input Shaft.....	1
20	7418	Thrust Washer.....	1
21	7204	Gear.....	1
22	1518	Needle Bearing 5/8 I.D.	4
23	5175	Gear.....	1
24	7205	Sliding Gear.....	1
25	7206	Reduction Gear.....	1
26	7207	Needle Bearing 3/8 I.D.	2
27	7208	Shaft-Reduction Gear.....	1
28	1243	Plug Cup.....	1
29	5173	Gear 2nd and 3rd.....	1
30	5174	Gear 1st and Reverse.....	1
31	5615	Shift Rail-Front.....	1
32	5616	Shift Rail-Rear.....	1
33	3503	Shift Fork.....	2
34	933156	Spirol Pin 1/8 x 1.....	2
35	5614	Shift Pin.....	1
36	7269	Cluster Gear With Bushings.....	1
37	1504	Bronze Bushing.....	2
38	3527	Reduction Gear.....	1
39	9840	Cluster Shaft.....	1
40	937089	Woodruff Key 3/16 x 3/4.....	1
41	4204	Gear-Reverse Idler.....	1
42	3909	Pin-Reverse Idler.....	1

SECTION 3 - 8-SPEED TRANSMISSION

ITEM	PART NUMBER	DESCRIPTION	8-Speed
		Figure 3-2 MECHANICAL TRANSMISSION - 8-SPEED (CONTINUED)	
43	1516	Bushing-Reverse Idler.....	1
44	106447	Dipstick Assembly.....	1
45	106448	Nipple-Transmission Fill.....	1
46	3912	Transmission Case Gasket.....	1
47	1239	Special Set Screw.....	1
48	915111	Nut 1/4-20.....	1
49	3577	Dust Cover.....	1
50	9547	Thrust Washer.....	1
51	102974	Gear Assembly.....	1
52	101625	Gear 11 Tooth.....	1
53	101626	Gear 44 Tooth.....	1
54	108758	Gear Shift Knob.....	2
55	3517	Detent Ball 1/4 Diameter.....	2
56	106030	Detent Spring.....	1
57	7213	Detent Bolt.....	1
58	7214	Shift Shaft Hi-Low Range.....	1
59	7209	Shift Fork Hi-Low Range.....	1
60	3517	Detent Ball 1/4 Diameter.....	1
61	106030	Detent Spring.....	1
62	110727	Shift Lever Hi-Low Range.....	1
63	933184	Spirol Pin 3/16 x 3/4.....	1
64	111197	Diff. End Cap 300-Series Only.....	2
	111196	Diff. End Cap 400-Series Only.....	2
65	908138	Bolt 3/8-16 x 3 1/4 (Grade 5) 300 Series Only.....	4
	911423	Bolt 3/8-16 x 3 1/2 (Grade 8) 400 Series Only.....	4
66	107374	Special Washer-Case Hardened.....	4
67	108881	Nut 3/8-16 High-Tensile.....	4
68	105063	Differential Ring Gear 43Tooth 300-Series Only.....	1
	105061	Differential Ring Gear 43Tooth 400-Series Only.....	1
70	101623	Differential Pinion Gear 11 Tooth - 300 Series 8 used on 400 Series.....	4
71	3908	Differential Axle Gear 300-Series Only.....	2
	101889	Differential Axle Gear 400-Series Only.....	2
72	5961	Rear Axle 300-Series Only (1" dia.).....	2
	105875	Rear Axle 400-Series Only (1 1/8" dia.).....	2
	7939	Special Snap Ring 300-Series Only.....	2
	105876	Special Snap Ring 400-Series Only.....	2
74	110725	Gear Shift Lever.....	1
75	1001	Hi-Lo Range Shift Knob.....	1
76	A-1392	Repair Manual.....	1

SECTION 5 - FRONT AXLE AND STEERING

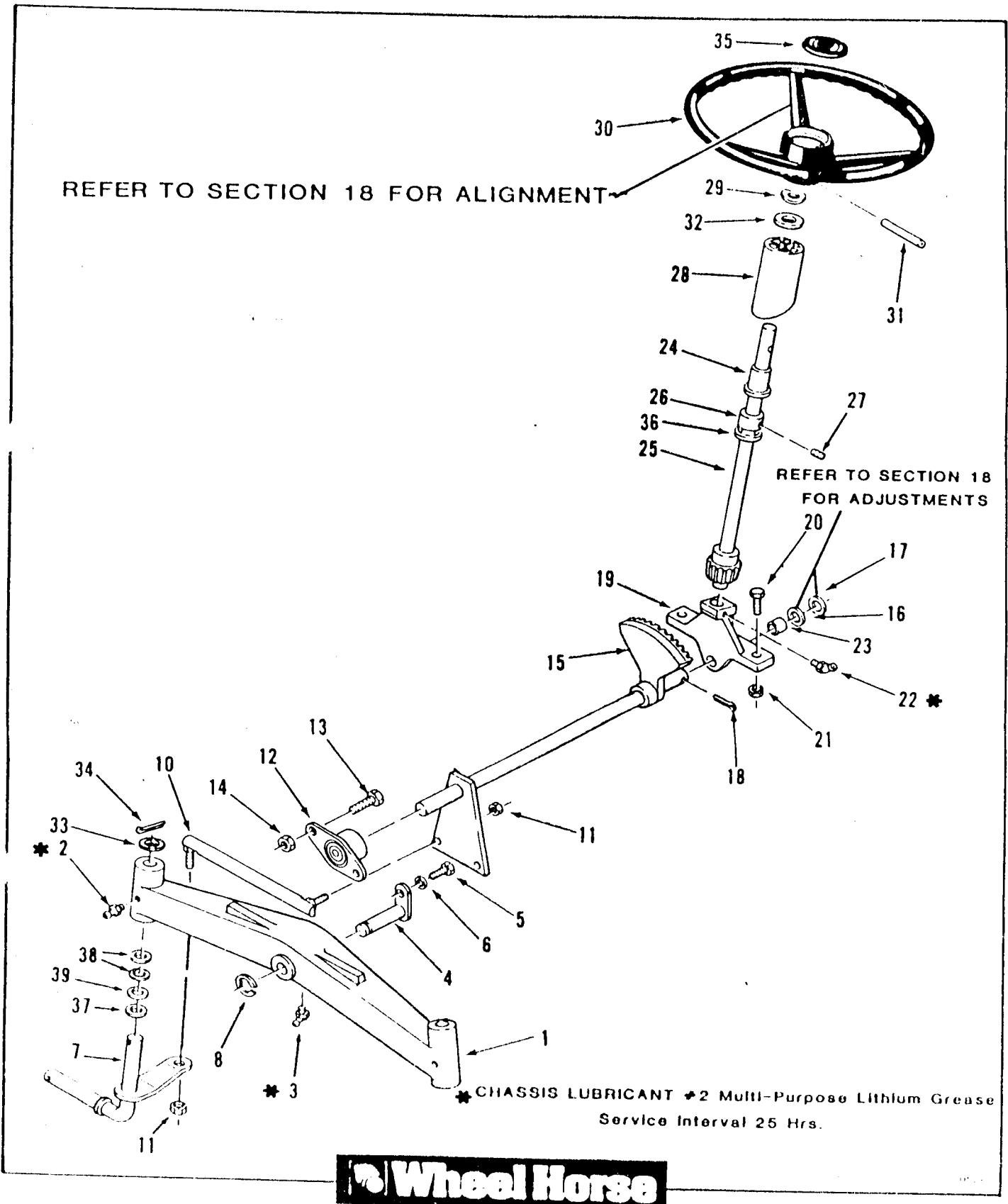


Figure 5-1 Front Axle and Steering

SECTION 5 - FRONT AXLE AND STEERING

ITEM	PART NUMBER	DESCRIPTION	8-Speed
		Figure 5-1 FRONT AXLE AND STEERING	
1	5638	Front Axle.....	1
2	1030	Grease Fitting Straight.....	1
3	1481	Grease Fitting 45 Degree.....	2
4	6216	Pin and Plate.....	1
5	908015	Bolt 5/16-18 x 1/2.....	1
6	920082	Lockwasher 5/16.....	1
7	111042	Front Spindle RH.....	1
	111043	Front Spindle LH.....	1
8	5618	E-Ring.....	1
10	102592	Tie Rod RH.....	1
	102593	Tie Rod LH.....	1
11	915002	Eslok Nut 3/8-24.....	1
12	6472	Flanged Bearing.....	4
13	908032	Bolt 3/8-16 x 3/4.....	1
14	915113	Eslok Nut 3/8-16.....	2
15	111354	Lower Steering Shaft.....	2
16	5210	Shim Washer 3/4 x .015.....	1
17	1278	Shim Washer 3/4 x .050.....	X
18	932035	Cotter Pin 3/16 x 1 1/4.....	X
19	109733	Steering Support.....	1
20	908036	Bolt 3/8-16 x 1 1/2.....	1
21	915113	Eslok Nut 3/8-16.....	2
22	1481	Grease Fitting 45 Degree.....	2
23	6397	Bearing-Lower Steering Shaft.....	1
24	109189	Bearing-Upper Steering Shaft.....	1
25	112162	Upper Steering Shaft.....	1
26	1085	Collar.....	1
27	909848	Eslok Set Screw 1/4-20 x 1/4.....	1
28	109163	Steering Collar.....	1
29	7896	Bowed Washer.....	1
30	110743	Steering Wheel.....	1
31	933221	Spirol Pin 1/4 x 2.....	1
32	109262	Special Washer.....	X
33	1278	Washer.....	X
34	932026	Cotter Pin 5/32 x 1 1/4.....	2
35	102856	Steering Wheel Insert.....	2
36	111646	Grip Ring.....	1
37	7956	Thrust Washer 418-C.....	1
38	107051	Slip Washer (Coated).....	1
39	1278	Shim Washer (.050).....	1

SECTION 6 - CLUTCH, BRAKE AND MOTION CONTROL LINKAGE

REFER TO SECTION 18 FOR BRAKE ADJUSTMENT

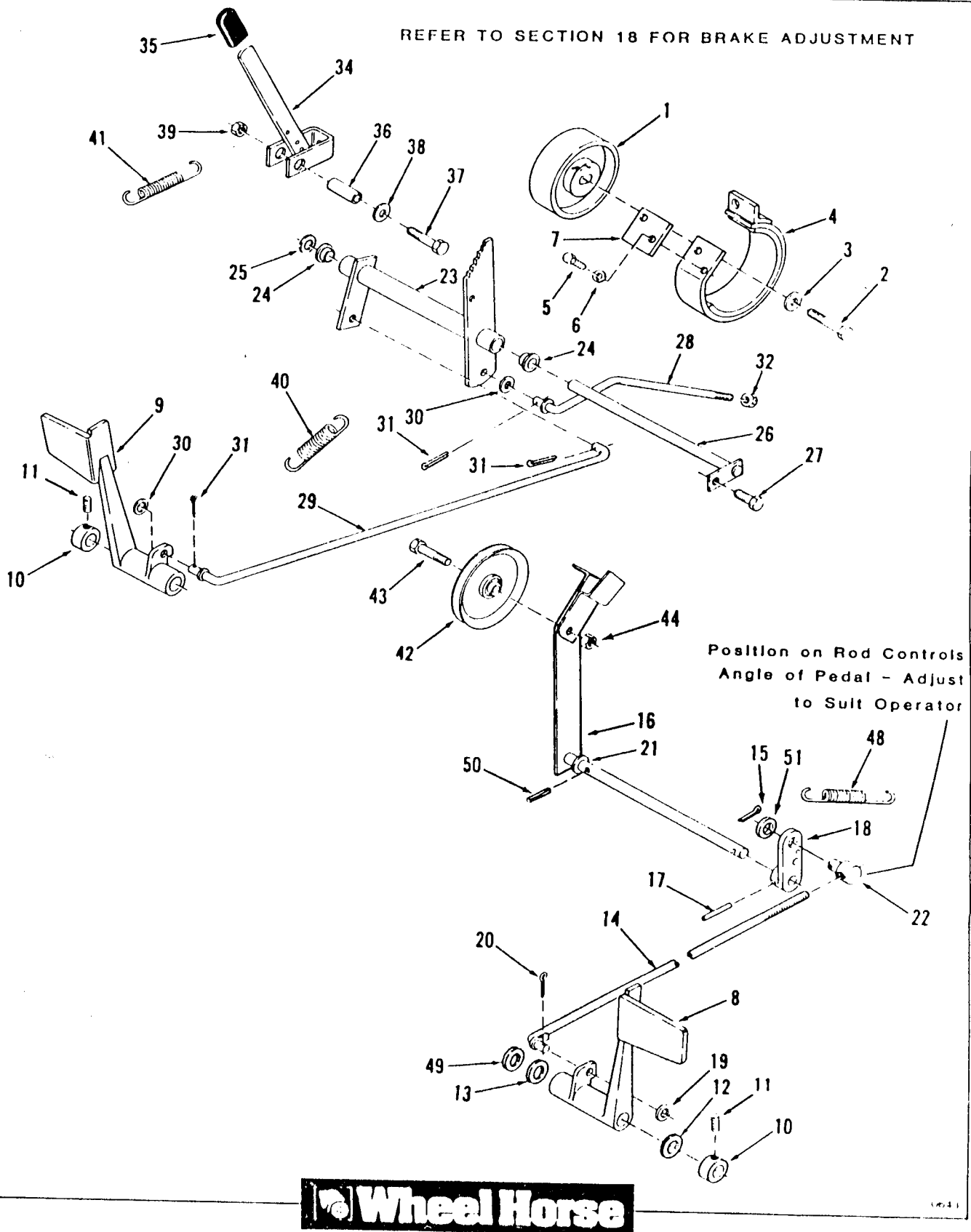
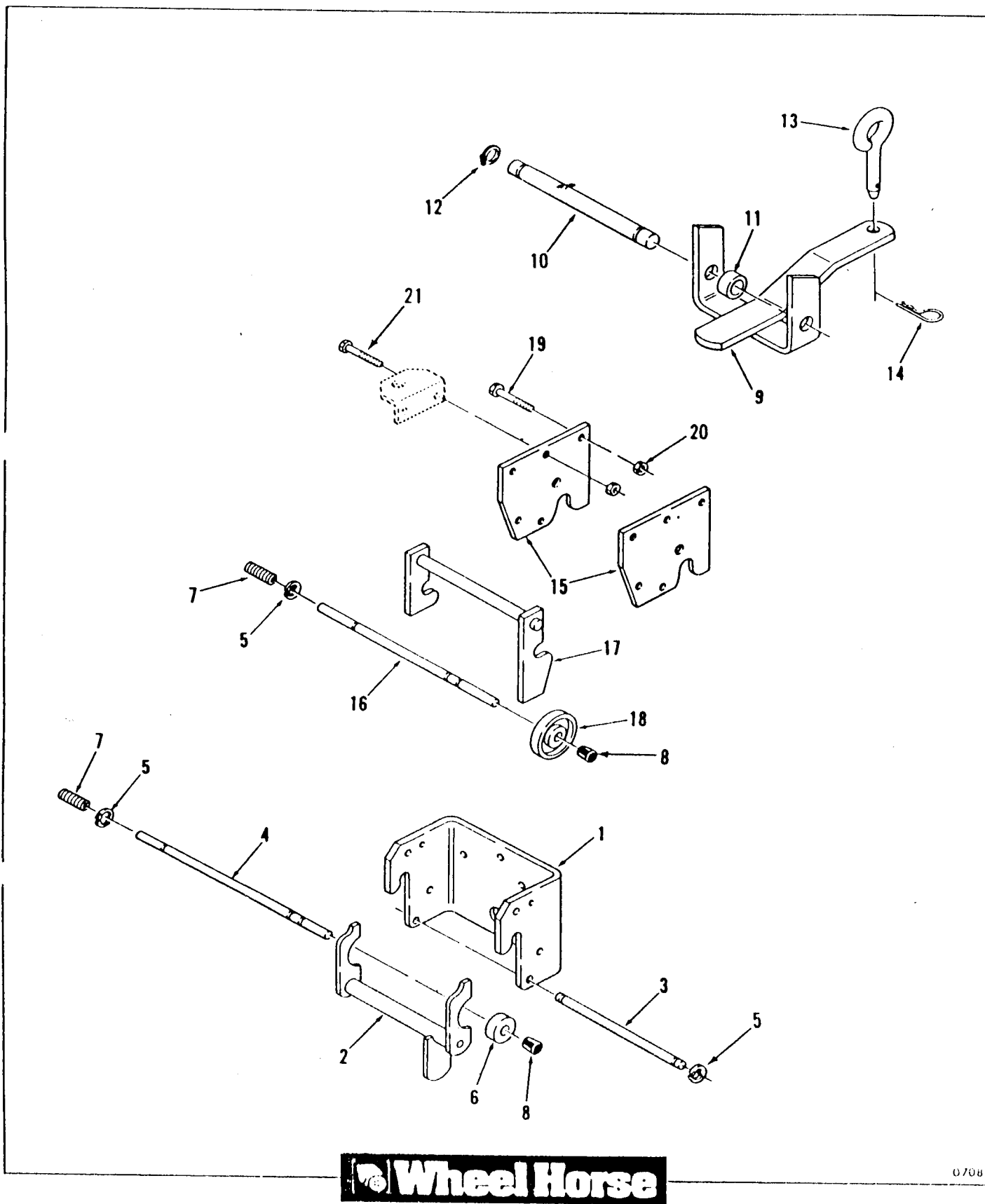


Figure 6-1 Clutch, Brake and Speed Control Linkage

SECTION 6 - CLUTCH, BRAKE AND MOTION CONTROL LINKAGE

ITEM	PART NUMBER	DESCRIPTION	8-Speed
Figure 6-1			
CLUTCH, BRAKE AND SPEED CONTROL LINKAGE			
1	106719	Brake Drum.....	1
2	110234	Nylok Bolt 3/8-16 x 3/4.....	1
3	2844	Special Washer.....	1
4	9593	Brake Band.....	1
5	908002	Bolt 1/4-20 x 5/8.....	2
6	920081	Lockwasher 1/4.....	2
7	9598	Back-Up Plate.....	1
8	110902	Pedal-Clutch.....	1
9	110901	Pedal-Brake.....	1
10	1085	Collar.....	2
11	909848	Eslok Set Screw 1/4-20 x 1/4.....	2
12	7896	Bowed Washer.....	1
13	1278	Shim Washer 3/4 x .050.....	X
14	103347	Clutch Rod.....	1
	111503	Clutch Rod 417-8 Only.....	1
15	932008	Cotter Pin 3/32 x 3/4.....	1
16	110507	Clutch Idler Arm.....	1
17	933190	Spirol Pin 3/16 x 1 1/4.....	1
18	105896	Clutch Rod Arm.....	1
19	920248	Nylon Washer 3/8.....	3
20	932016	Cotter Pin 1/8 x 3/4.....	2
21	3765	Shim Washer 1/2 x .030.....	X
22	101161	Trunnion-Clutch Rod.....	1
23	103543	Bell Crank-Brake Linkage.....	1
24	7879	Bushing.....	2
25	920011	Washer 1/2 SAE.....	1
26	106417	Rod-Bell Crank Pivot.....	1
27	926694	S.T. Bolt 5/16-18 x 5/8.....	1
28	105900	Brake Rod-Rear.....	1
29	105886	Brake Rod-Front.....	1
30	920248	Nylon Washer.....	2
31	932016	Cotter Pin.....	3
32	915663	E.S. Nut 3/8-16.....	1
34	106451	Parking Brake Lever.....	1
35	6820	Grip.....	1
36	102025	Spacer.....	1
37	908037	Bolt 3/8-16 x 1 3/4.....	1
38	920009	Washer 3/8 SAE.....	1
39	102809	Special Nut.....	1
40	107677	Spring-Brake Return.....	1
41	103628	Spring-Parking Brake Return.....	1
42	7451	Idler Pulley.....	1
43	106193	Special Bolt 3/8-16 x 1 1/2.....	1
44	915113	Eslok Nut 3/8-16.....	1
48	108035	Spring-Clutch Return.....	1
49	920225	Special Washer.....	1
50	933267	Spirol Pin 5/32 x 1 1/4.....	1
51	920009	Washer 3/8 SAE.....	1

SECTION 7 - HITCHES AND LIFT LINKAGE



Wheel Horse

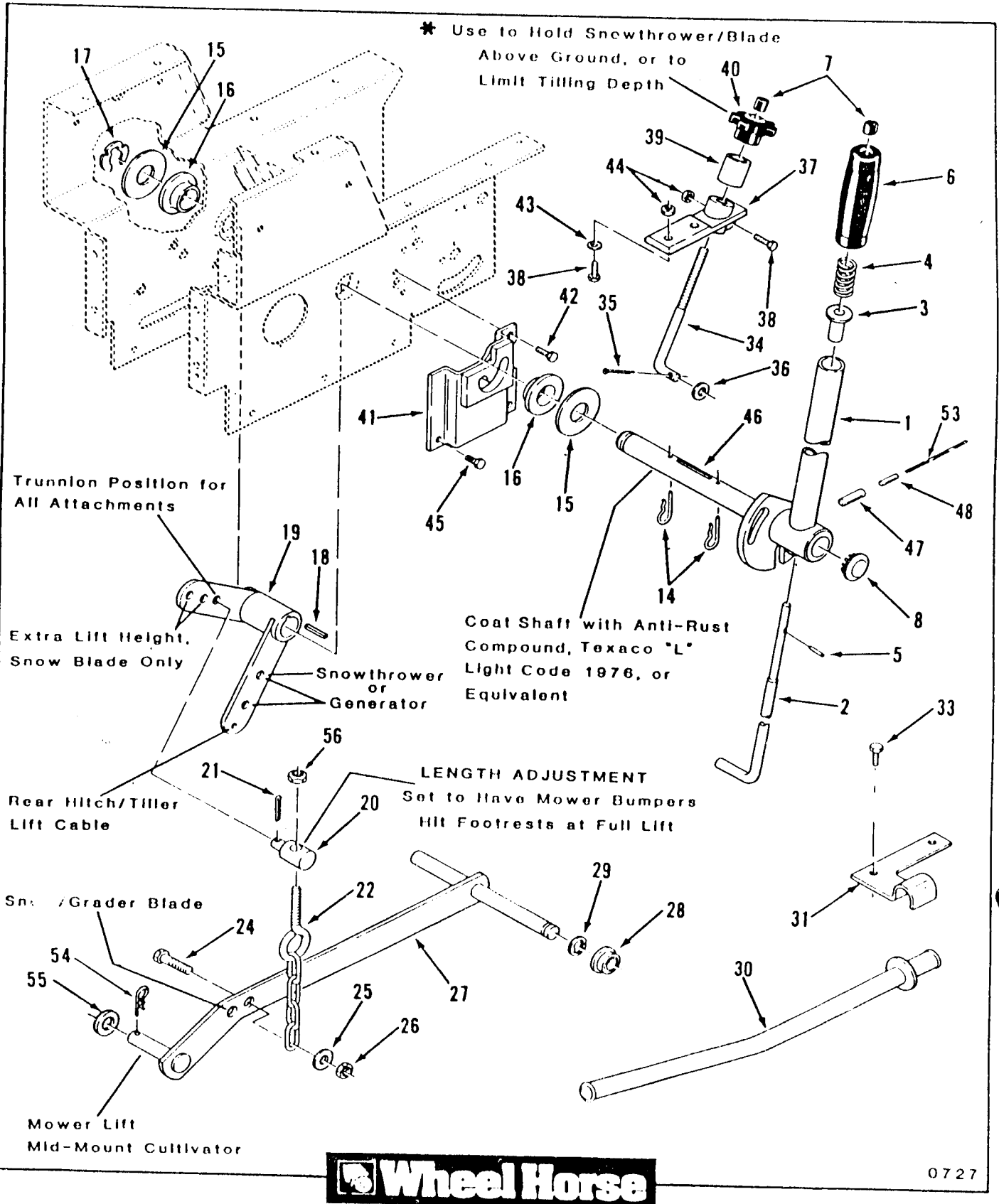
0708

Figure 7-1 Hitches

SECTION 7 - HITCHES AND LIFT LINKAGE

ITEM	PART NUMBER	DESCRIPTION	8-Speed
		Figure 7-1 HITCHES	
1	101711	Front Hitch Housing.....	1
2	105859	Latch-Front Hitch.....	1
3	101750	Rod.....	1
4	101751	Rod-Front Hitch Lock.....	1
5	105797	E-Ring.....	8
6	101707	Lock.....	1
7	8616	Spring.....	2
8	105316	Cap-Lock Rod.....	2
9	1644	Drawbar Hitch.....	1
10	105269	Shaft-Drawbar Hitch.....	1
11	979120	Spacer.....	2
12	5618	E-Ring.....	2
13	106634	Hitch Pin.....	1
14	933505	Hairpin Cotter.....	1
15	102644	Mid Hitch Plate.....	2
16	102672	Rod-Mid Hitch Lock.....	1
17	102639	Latch-Mid Hitch.....	1
18	101017	Lock.....	1
19	908034	Bolt 3/8-16 x 1.....	3
20	915113	Eslok Nut 3/8-16.....	5
21	908035	Bolt 3/8-16 x 1 1/4.....	2

SECTION 7 - HITCHES AND LIFT LINKAGE



0727

Figure 7-2 Lift Linkage

SECTION 7 - HITCHES AND LIFT LINKAGE

ITEM	PART NUMBER	DESCRIPTION	8-Speed
Figure 7-2			
MANUAL LIFT LINKAGE			
1	108563	Lift Lever (Includes Items 46, 47, 48).....	1
2	106257	Latch Rod.....	1
3	8130	Spring Retainer.....	1
4	3624	Spring.....	1
5	933148	Spirol Pin 1/8 x 1/2.....	1
6	6542	Grip-Lift Lever.....	1
7	105316	Rod Cap.....	1
		2
8	4944	Plug Button.....	1
14	933507	Hairpin Cotter.....	2
15	920017	Washer 1 in. SAE.....	3
16	106269	Bushing.....	2
17	106414	Retainer.....	1
18	1121	Key 1/4 Sq. x 1 3/16.....	1
19	106218	Bellcrank.....	1
20	6739	Trunnion.....	1
21	932008	Cotter Pin 3/32 x 3/4.....	1
22	106522	Lift Chain.....	1
24	908019	Bolt 5/16-18 x 1.....	1
25	920008	Washer 5/16.....	1
26	915112	Eslok Nut 5/16-18.....	1
27	102373	Lift Bar.....	1
28	6229	Bearing.....	1
29	5701	E-Ring.....	1
30	105845	Tube-Rear Lift Cable.....	1
31	108903	Clamp-Tube.....	1
33	908034	Eslok Bolt 3/8-16 x 1.....	2
34	110653	Rod-Height Control	1
35	932016	Cotter Pin 1/8 x 3/4	1
36	920040	Washer 7/16 US	1
37	106345	Height Control Casting	1
38	908019	Bolt 5/16-18 x 1	3
39	106258	Sleeve	1
40	5280	Knob-Height Control	1
41	106411	Latch Bracket.....	1
42	926694	S.T. Bolt 5/16-18 x 5/8.....	1
43	920008	Washer 5/16 SAE	2
44	915112	Eslok Nut 5/16-18	3
45	926696	S.T. Bolt 5/16-18 x 7/8.....	2
46	108565	Shaft	1
47	933268	Spirol Pin.....	1
48	933230	Roll Pin.....	1
		1
53	111154	Lock Wire.....	1
54	933505	Hairpin Cotter.....	1
55	920011	Washer 1/2 SAE.....	1
56	915663	E.S. Nut 3/8-16.....	1

SECTION 8 - SHEET METAL AND COVERS

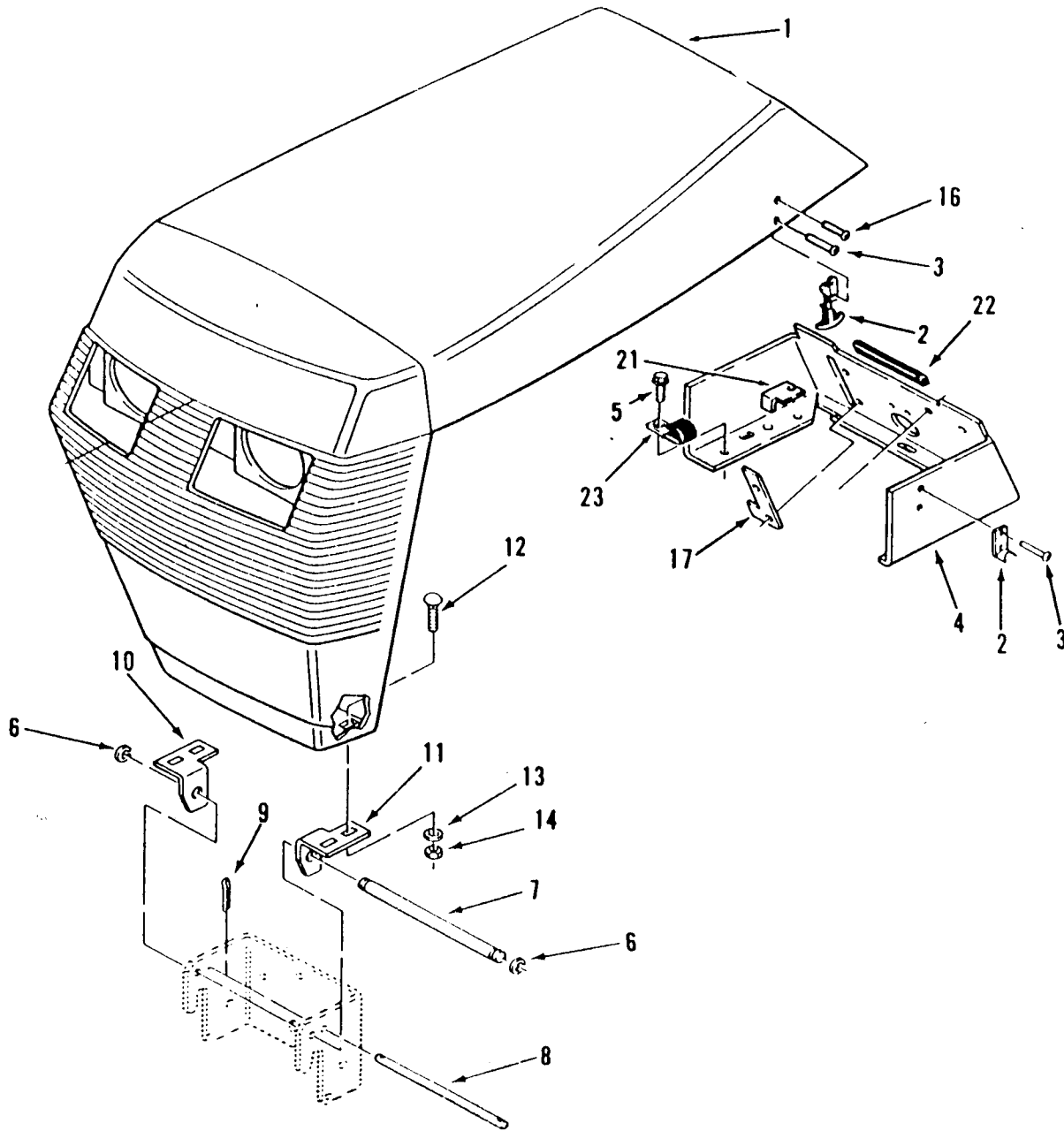


Figure 8-1 Sheet Metal and Covers

SECTION 8 - SHEET METAL AND COVERS

ITEM	PART NUMBER	DESCRIPTION	8-Speed
		Figure 8-1 SHEET METAL AND COVERS	
1	112358	Hood.....	1
2	106825	Hood Latch (includes 109236 Handle Ass'y & 109237 Latch Keeper).....	2
3	923785	Pop Rivet 1/8 x .294.....	4
4	111372	Console.....	1
5	926694	Washer Hd. S.T. Bolt 5/16-18 x 5/8.....	3
6	105797	E-Ring.....	2
7	101710	Pivot Rod.....	1
8	101850	Hood Stop Rod.....	1
9	932000	Cotter Pin 1/16 x 1/2.....	2
10	109145	Bracket RH.....	1
11	109146	Bracket LH.....	1
12	900015	Carriage Bolt 1/4-20 x 3/4.....	4
13	920007	Washer 1/4 SAE.....	4
14	915111	Eslok Nut 1/4-20.....	4
16	923784	Pop Rivet 1/8 x .232.....	2
17	111182	Throttle Stop Single Cyl. Tractors Only.....	1
21	111232	PTO Stop.....	1
22	111757	Console Edging.....	1
23	111392	J-Clip.....	1

SECTION 8 - SHEET METAL AND COVERS

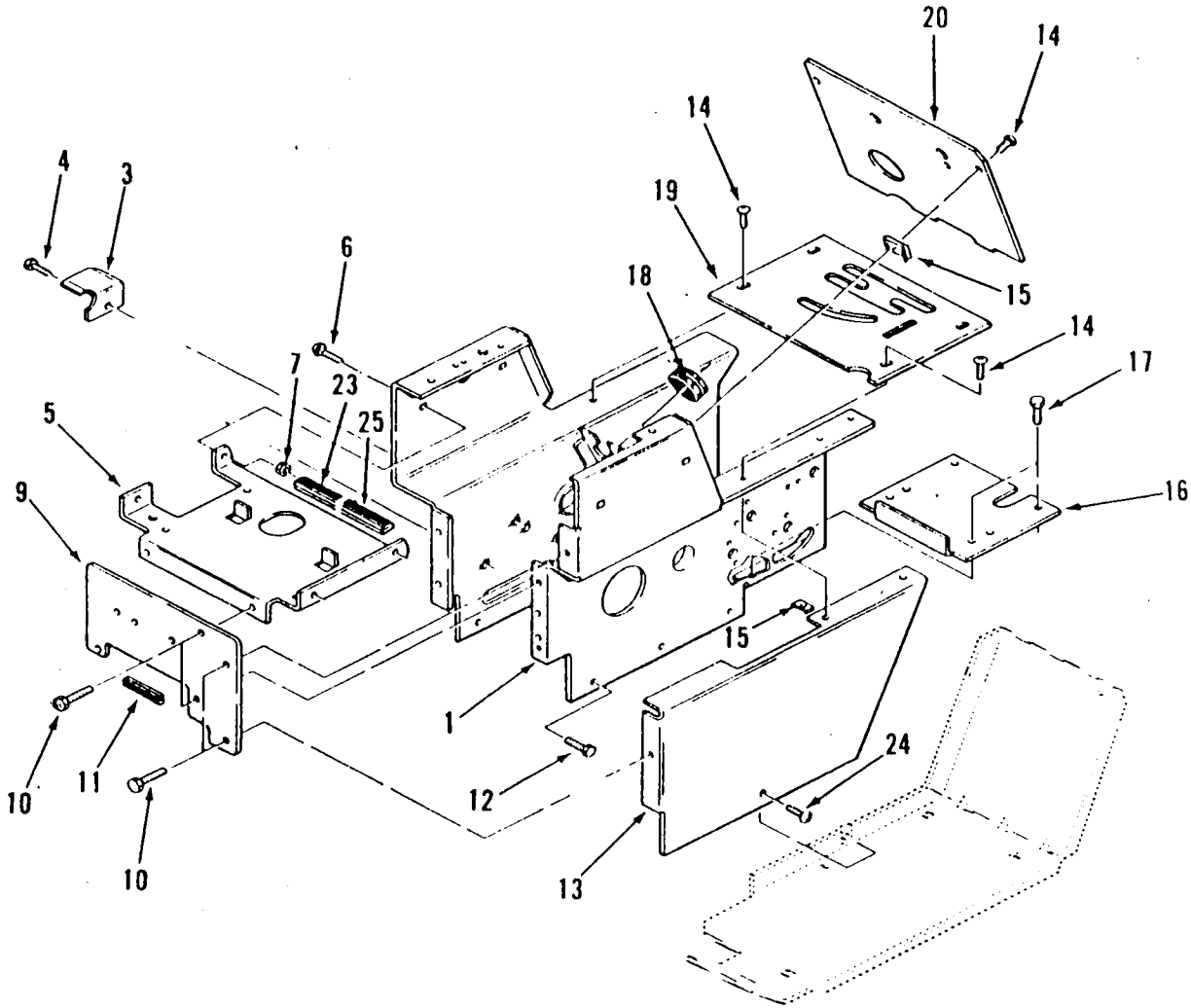
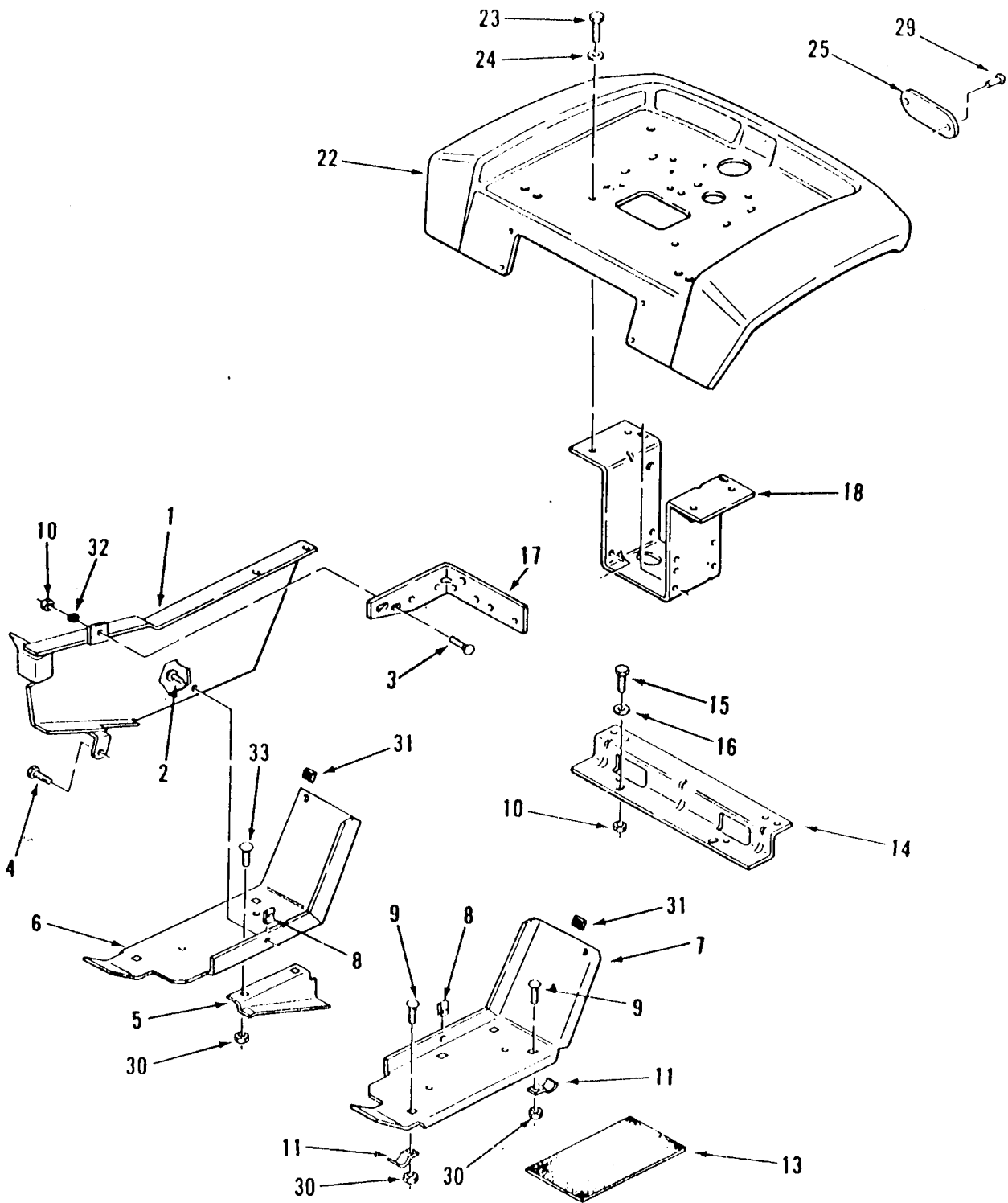


Figure 8-2 Sheet Metal and Covers

SECTION 8 - SHEET METAL AND COVERS

ITEM	PART NUMBER	DESCRIPTION	8-Speed
Figure 8-2 SHEET METAL AND COVERS			
1	109765	Hoodstand	1
3	106261	Belt Bracket	1
4	926694	S.T. Bolt 5/16-18 x 5/8	1
5	110094	Battery Support Bracket	1
6	900035	Carriage Bolt 5/16-18 x 1/2	4
7	915112	Eslok Nut 5/16-18	4
9	106342	Front Plate	1
0	926694	S.T. Bolt 5/16-18 x 5/8	6
1	106454	Edge Trime	1
2	926694	S.T. Bolt 5/16-18 x 5/8	4
	926696	S.T. Bolt 5/16-18 x 7/8	2
3	109323	Side Cover LH	1
4	9108372	Screw 1/4-20 x 5/8 Black	6
5	107069	Speed Nut	6
6	106250	Dust Cover	1
7	926694	S.T. Bolt 5/16-18 x 5/8	4
8	104248	Grommet	1
9	111386	Shift Cover Plate	1
0	110520	Hoodstand Plate	1
3	110142	Edge trim	1
4	910837	Screw 1/4-20 x 5/8	1
5	106454	Edge Trim	1

SECTION 8 - SHEET METAL AND COVERS



0854

Figure 8-3 Sheet Metal and Covers

SECTION 8 - SHEET METAL AND COVERS

ITEM	PART NUMBER	DESCRIPTION	8-Speed
Figure 8-3 SHEET METAL AND COVERS			
1	107975	Belt Guard	1
2	910837	Screw 1/4-20 x 5/8	2
3	900037	Carriage Bolt 5/16-18 x 3/4	1
4	926694	S.T. Bolt 5/16-18 x 5/8	1
5	106352	Lower Belt Guard	1
6	106222	Foot Rest RH	1
7	106223	Foot Rest LH	1
8	107069	Speed Nut	2
9	900037	Carriage Bolt 5/16-18 x 5/8.....	6
11	7456	Clamp	4
13	106264	Footrest Pad	2
14	107951	Fender Bracket-Front	1
15	908017	Bolt 5/16-18 x 3/4	2
16	920008	Washer 5/16 SAE	2
17	108823	Support Bracket-Belt Guard	1
18	108897	Fender Support Bracket	1
22	110960	Fender	1
23	926694	S.T. Bolt 5/16-18 x 5/8	4
24	920008	Washer 5/16 SAE	4
25	108547	Reflector	2
29	109193	Poprivet 3/16 x .57 Aluminium (Std. Production)..	4
30	915662	Eslok Nut 5/16-18	6
31	518211	Bumper	2
32	108457	Push Nut	1
33	900214	Carriage Bolt 5/16-18 x 3/4	2

SECTION 9 - ENGINES AND EXHAUST SYSTEM

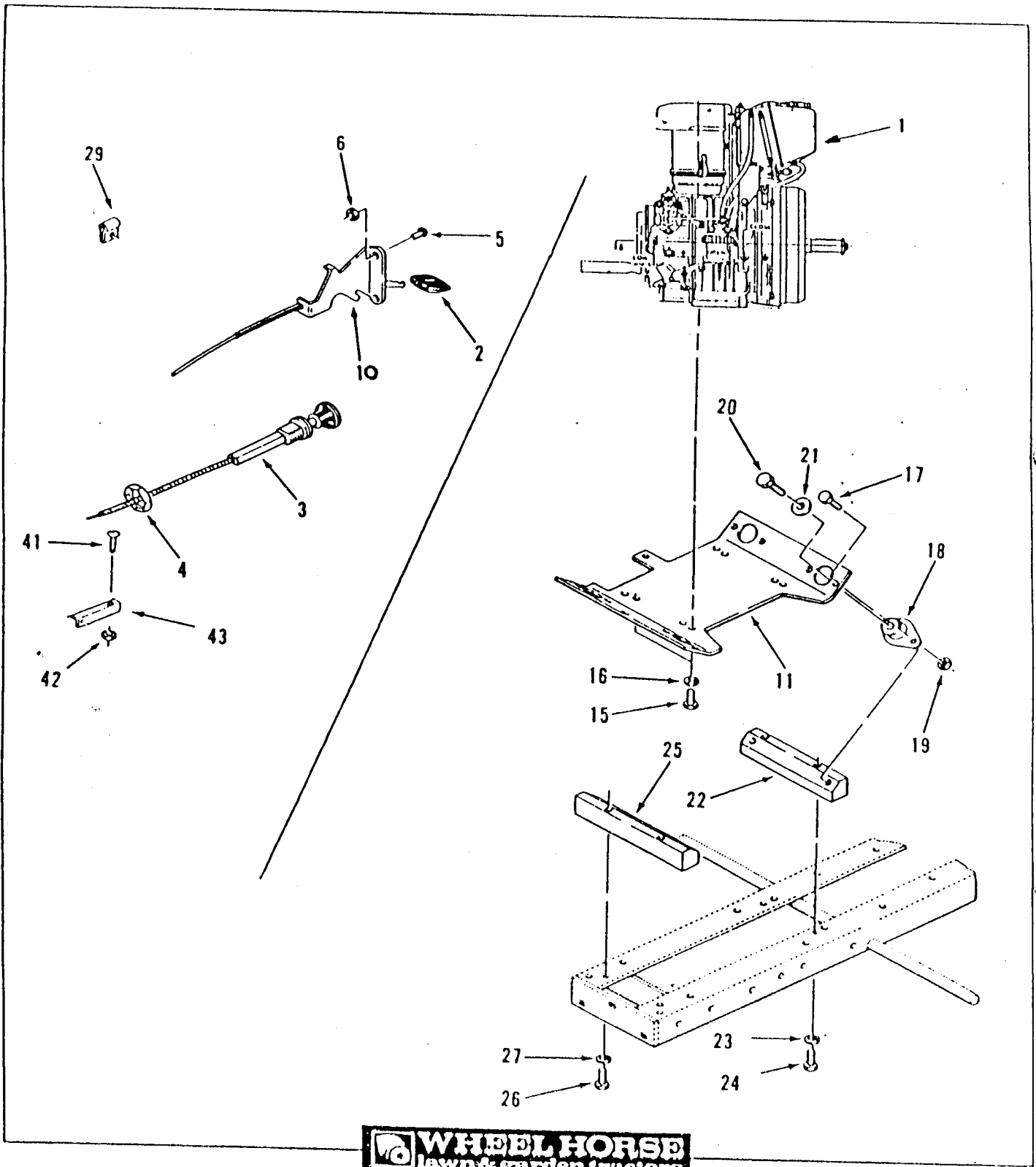
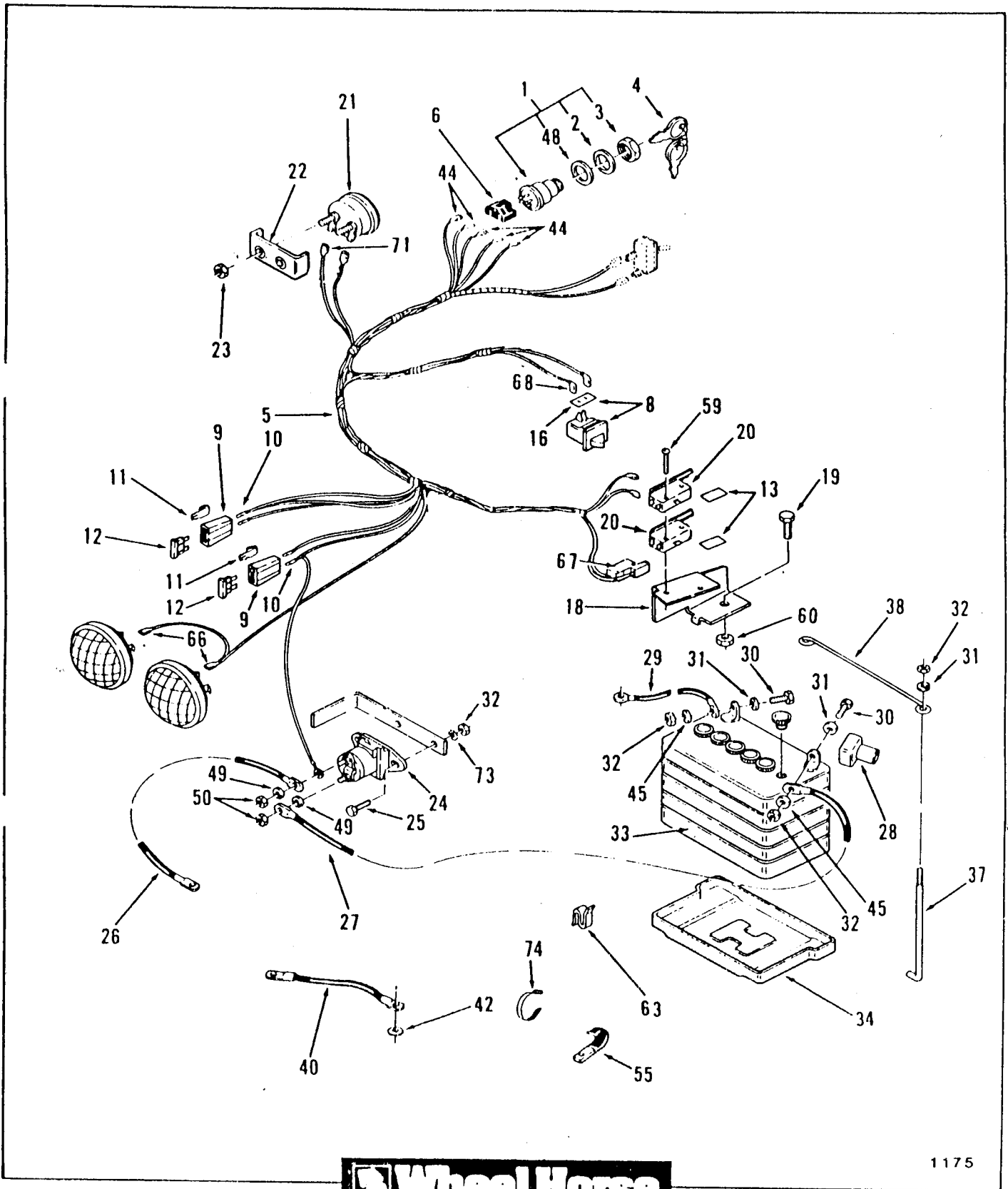


Figure 9-1 Single Cylinder Engines

SECTION 9 - ENGINES AND EXHAUST SYSTEM

ITEM	PART NUMBER	DESCRIPTION	Qty
		Figure 9-1 SINGLE CYLINDER ENGINES	
1	86036	Diesel Engine Robin DY 41D	1
2	108917	Knob Throttle Control	1
3	111856	Control Stop	1
4	109530	Palnut	1
5	910792	Screw	2
6	915740	Lock Nut	2
10	112485	Throttle Control → <i>112481</i>	1
11	111852	Plate Engine	1
15	911415	Bolt 3/8-16 x 2 1/2	4
	920039	Washer	8
17	908002	Bolt 1/4-20 x 5/8	8
18	108309	Mount. Isolation	4
19	915111	Nut 1/4-20	8
20	908037	Nylok Bolt 3/8-16 x 1 3/4	4
21	920249	Washer	2
21	920039	Washer	2
22	106503	Mount. Block rear	1
23	920083	Lock Washer	2
24	908035	Bolt 3/8-16 x 1 1/4	2
25	106503	Mount. Block front	1
26	908034	Bolt 3/8-16 x 1	2
27	920083	Lock Washer	2
29	7922	Cable clip	1
41	910754	Screw	1
42	915732	Nut	1
43	111854	Bracket Engine Stop	1

SECTION 11 - ELECTRICAL SYSTEM



 **Wheel Horse**

1175

Figure 11-1 Electrical System

SECTION 11 - ELECTRICAL SYTEM

M	PART NUMBER	DESCRIPTION	8-Speed
		Figure 11-1 ELECTRICAL SYSTEM	
	111216	Ignition Switch (w/101884 & 920160).....	1
	920160	Internal Tooth Lockwasher 5/8	1
	101884	Special Nut	1
	111220	Ignition Key - Set of 2	1
	111158	Wiring Harness Assembly	1
	105302	Connector Body - Ignition Switch - Part of 5	1
	103480	Clutch/Brake Interlock Switch w/Dirt Shield	1
	109117	Single Fuse Body - Part of 5	
	108895	One-Way Terminal - Part of 5	
	109445	Fuse Body Clip - Part of 5	
	109355	Fuse 15 Amp - ATO or ATC Single & Twin	1
	111642	Switch Insulator Barrier	2
	110502	Dirt Shield	1
	111488	Switch Support	1
	926671	S.T. Bolt 1/4-20 x 1/2	1
	111332	PTO Interlock Switch	2
	110741	Voltmeter (w/109650)	1
	109650	Back clamp-Voltmeter	1
	5924	Nut 10-32 E.S.	2
	111674	Solenoid	1
	960152	Whizlock Bolt 1/4-20 x 5/8	2
	111069	Cable - Solenoid To Starter Single Cylinder	1
	111074	Cable - Battery (+) To Solenoid	1
	109553	Terminal Cover	1
	111069	Cable - Battery (-) To Ground	1
	908003	Bolt 1/4-20 x 3/4	2
	920007	Washer 1/4 SAE	4
	915111	Eslok Nut 1/4-20	6
	105842	Battery Maintenance Free	1
	110298	Battery Tray	1
	109547	Hook - Battery Hold Down	2
	112459	Battery Hold Down Rod	1
	109910	Ground Hood to Frame	1
	920155	Internal Tooth Lockwasher 5/16	1
	102651	Female Terminal 1/4 - Part of 5	5
	920081	Lockwasher 1/4	4
	920262	Special Washer	1
	920081	Lockwasher 1/4	2
	915234	Jam Nut 1/4-20	2
	8830	Clip	X
	910478	Screw 4-40 x 1 1/4	2
	915732	E.S. Nut 4-40	2
	519337	Cable Clip	1
	111498	Connector - Part of 5	2
	518077	Terminal - Part of 5	2
	105306	Terminal - Part of 5	1
	920122	External Tooth Lockwasher	1
	100571	Cable Tie	X

SECTION 11 - ELECTRICAL SYSTEM

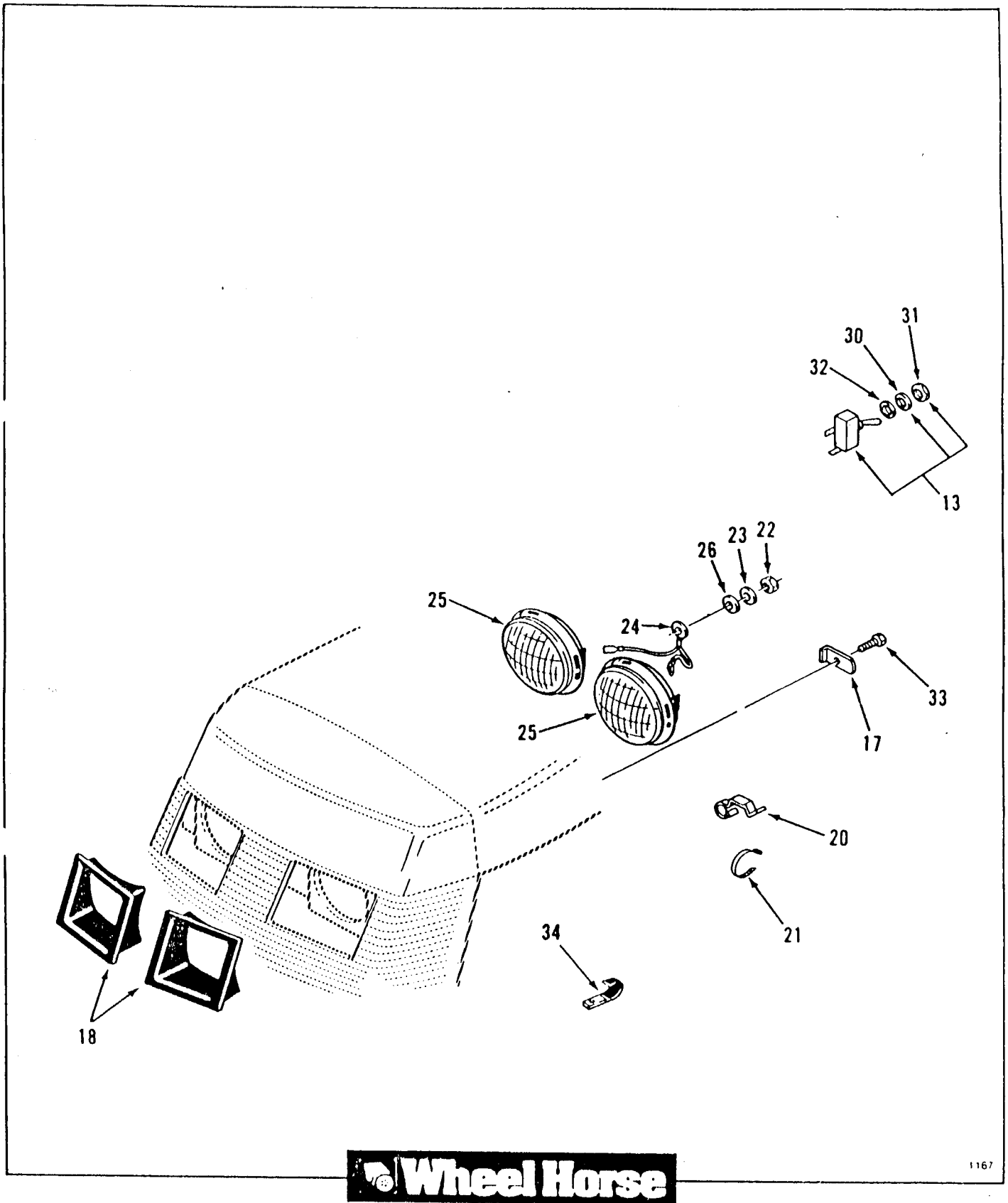


Figure 11-3 Electrical System

SECTION 11 - ELECTRICAL SYSTEM

ITEM	PART NUMBER	DESCRIPTION	8-speed
Figure 11-3 ELECTRICAL SYTEM			
13	102138	Light Switch	1
17	109459	Clamp	2
18	109494	RH Bezel Headlight	1
18	109495	LH Bezel Headlight	1
20	8519	Clip-Large	X
21	100571	Cable Tie	X
22	915112	Nut 5/16-18	1
23	920155	Lockwasher 5/16	1
24	110930	Headlight Ground Wire	1
25	102881	Headlight	2
26	920008	Washer 5/16 SAE	1
30	102950	Lockring	1
31	8786	Nut	1
32	920259	Special Washer	1
33	926671	Bolt Hex 1/4-20 x 1/2 ST	2
34	8830	Clip	1
36	518105	Terminal	1
37	518104	Terminal	1

SECTION 13 - WHEELS AND TIRES

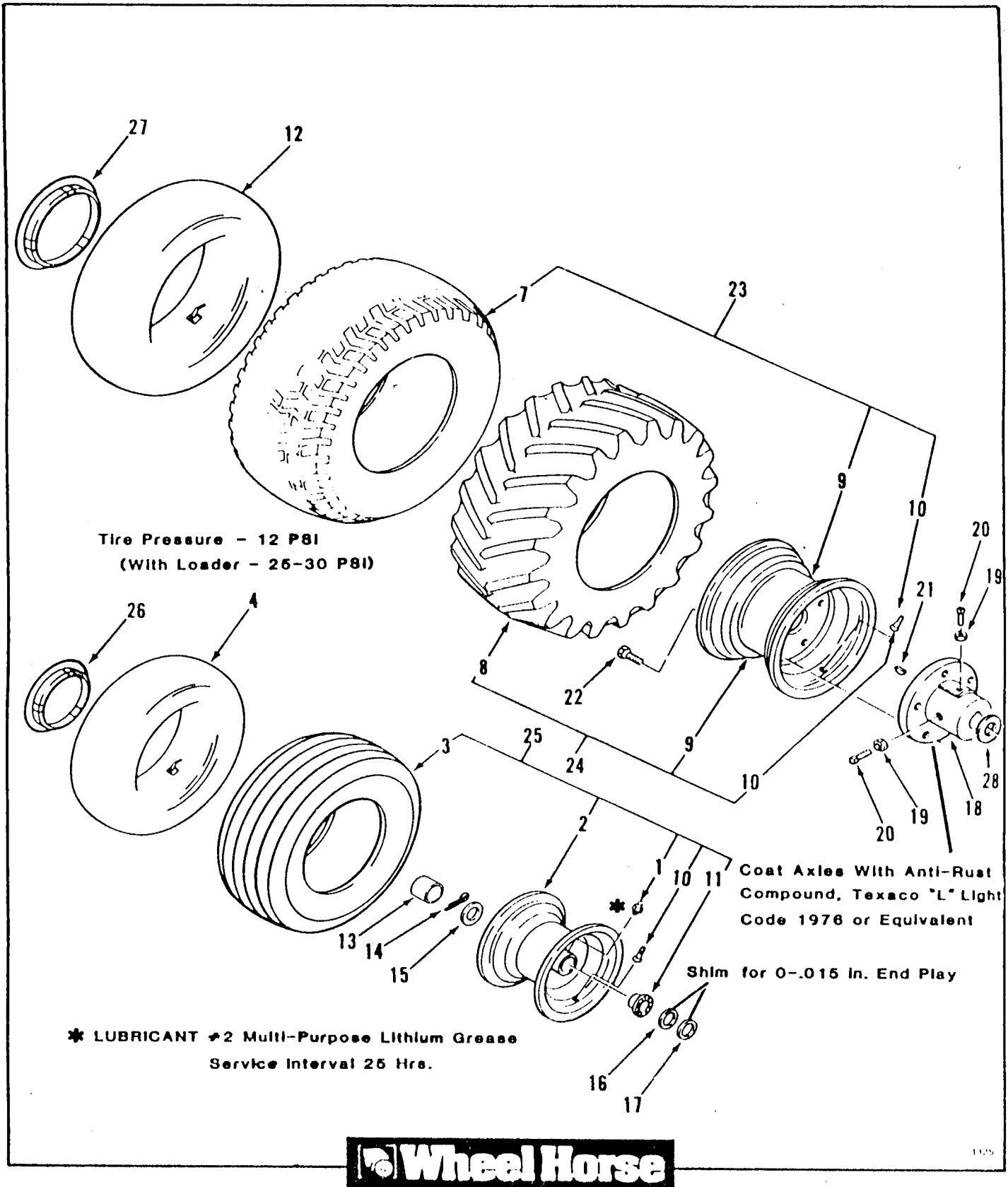


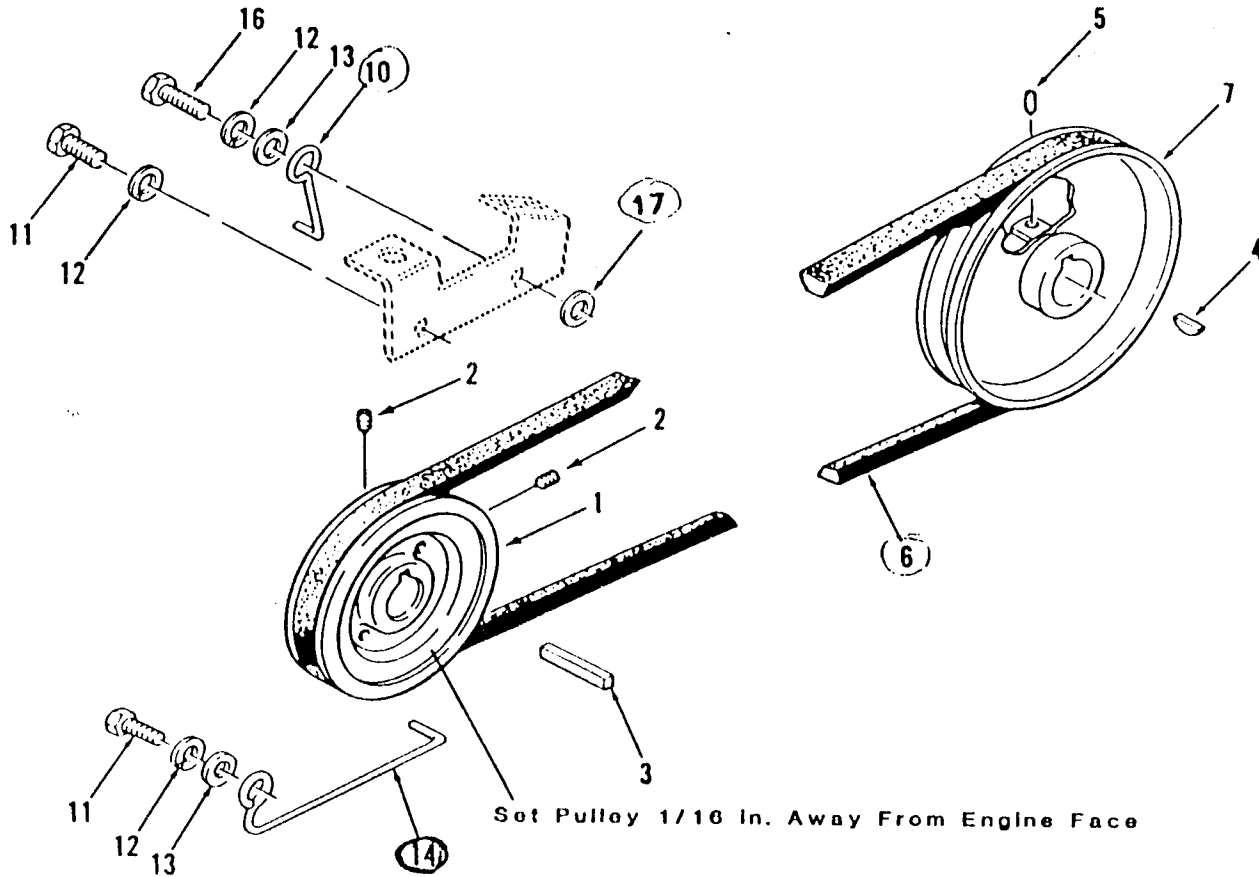
Figure 13-1 Wheels and Tires

SECTION 13 - WHEELS AND TIRES

ITEM	PART NUMBER	DESCRIPTION	8-Speed
		Figure 13-1 WHEELS AND TIRES	
1	109500	Grease Fitting	2
2	111038	Front Wheel (Includes Item 1,10,11).....	2
3	9792	Frt Tire 16x6.50-8 Turf Trd	2
4	105293	Tube - Service Only	2
7	5434	Rear Tire 23x8.50-12 Turf Tread	2
8	7607	Rear Tire 23 x 8.50-12 - Cleat (Optional)	2
9	110680	Rear Wheel 12x8.5	2
10	5108	Valve Stem	4
11	107124	Ball Bearing	4
	7007	Rear Tube	2
	100291	Tube Cleat Tires	2
13	111039	Hubcap	2
14	932026	Cotter Pin 5/32x1 1/4	2
15	111952	Special Hub Cap Washer	2
16	1278	Shim Washer .050	X
17	5210	Shim Washer .015	X
18	105763	Hub Rear Whl 1 1/8" I.D.	2
19	915236	Jam Nut 3/8-16	4
20	909554	Set Screw 3/8-16x1	4
21	937108	Woodruff Key 1/4x1 3/8	2
22	1004	Lug Bolt	10
23	110676	Rear Wheel & Tire Assy	2
24	110934	RH Cleat Wheel & Tire Assy (Optional)	1
	110933	LH Cleat Wheel & Tire Assy (Optional)	1
25	111037	Front Wheel & Tire Assy (Optional)	2
26	112123	Chrome Hub Cap 8" Front w/Clips 111938 (Optional)	
27	112124	Chrome Hub Cap 12" Rear w/Clips 111938 (Optional)	
28	106826	Thrust Washer	

SECTION 14 - DRIVE BELT, PULLEYS AND PTO CLUTCH

REFER TO SECTION 18 FOR BELT ROUTING & ADJUSTMENTS



 **WHEEL HORSE**
lawn & garden tractors

Figure 14-1 Drive Belt and Pulleys

SECTION 14 - DRIVE BELT, PULLEY AND PTO CLUTCH

ITEM	PART NUMBER	DESCRIPTION	8-Speed
Figure 14-1			
DRIVE BELT AND PULLEYS			
1	7466	Engine Drive Pulley	1
2	909862	Set Screw 5/16-18 x 5/16	2
3	105453	Key 1/4 x 1/4 x 3/4	1
4	937221	Hi-Pro Key 5/32 x 5/8	1
5	909540	Set Screw 5/16-18 x 1/2 Nylok	2
6	108502	Drive Belt	1
7	106165	Transmission Drive Pulley	1
10	110667	Belt Guide-top	1
11	908047	Bolt 7/16-14 x 1 1/4	3
12	920084	Lockwasher 7/16	3
13	920010	Washer 6/17 SAE	3
14	111264	Belt Guide - Bottom	1
16	112841	Cap	1
17	107546	Spacer	3

REFER TO SECTION 18 FOR ADJUSTMENTS

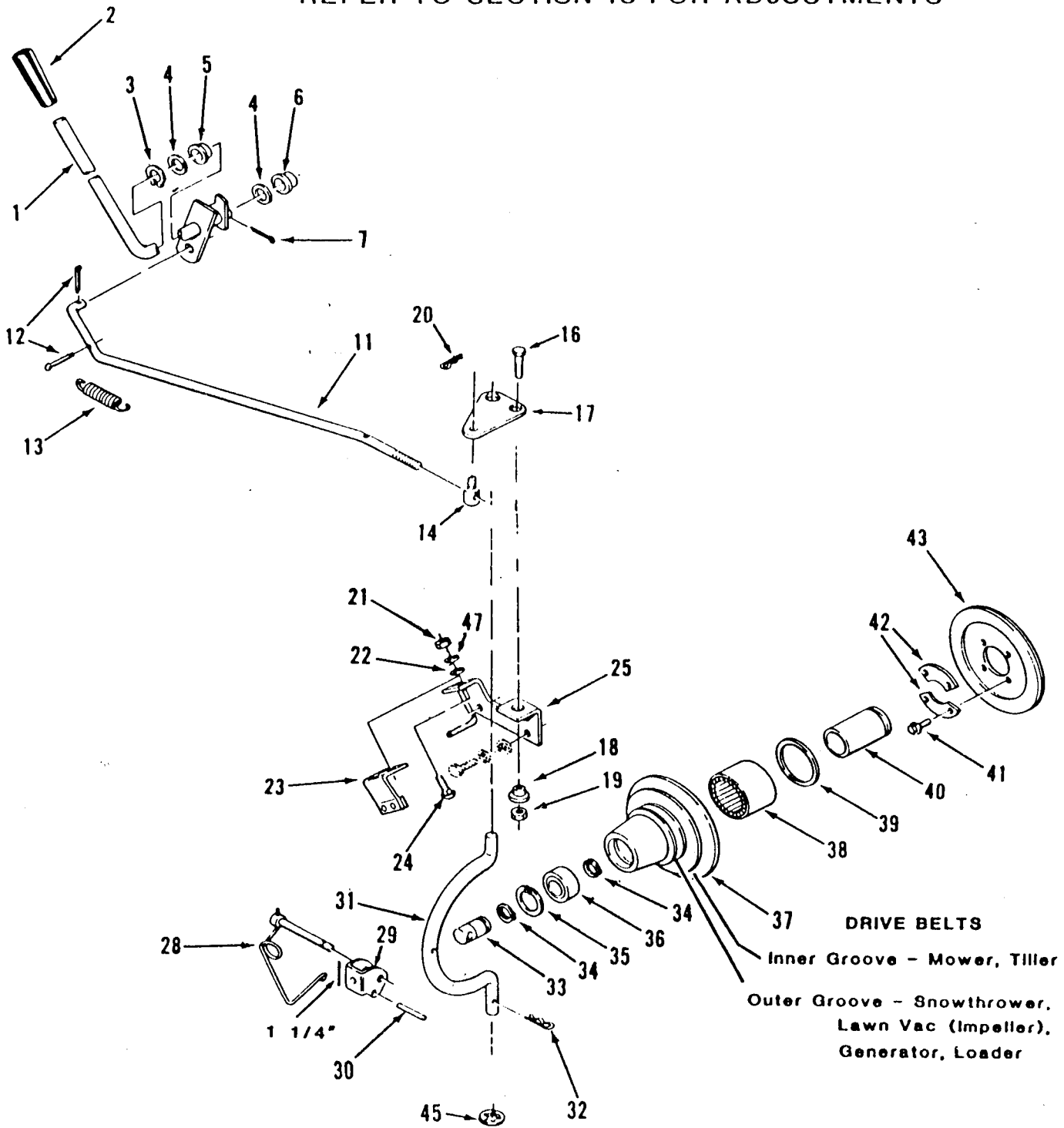
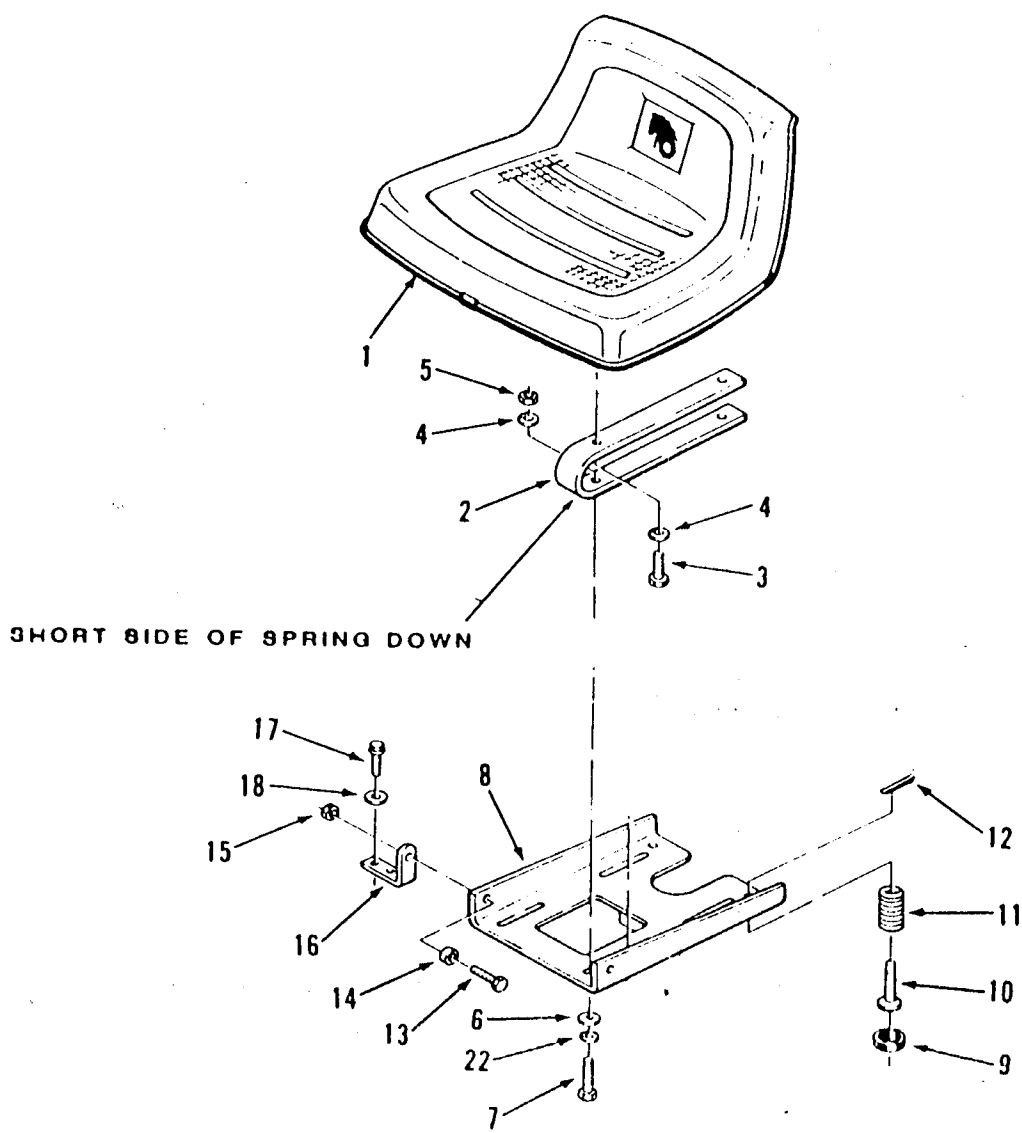


Figure 14-2 PTO Clutch and Control

SECTION 14 - DRIVE BELT, PULLEYS AND PTO CLUTCH

ITEM	PART NUMBER	DESCRIPTION	8-Speed
Figure 14-2			
PTO CLUTCH AND CONTROL			
1	111234	PTO Clutch Lever	1
2	9038	Grip	1
3	106649	Grip Ring	1
4	3765	Shim Washer	2
5	5666	Nyliner Bushing	1
6	5983	Bushing	1
7	932016	Cotter Pin 1/8 x 3/4	1
11	111052	PTO Clutch Rod	1
12	932016	Cotter Pin 1/8 x 3/4	2
13	103125	Spring	1
14	110656	Trunnion	1
16	908034	Bolt 3/8-16 x 1	1
17	110669	PTO Plate	1
18	104859	Spacer	1
19	915113	Eslok Nut 3/8-16	1
20	933505	Hairpin Cotter	1
21	915234	Jam Nut 1/4-20	2
22	920007	Washer 1/4 SAE	2
23	110665	PTO Brake Assembly (103315 PAD + 109474 Plate	1
24	900015	Carriage Bolt 1/4-20 x 3/4	2
25	106778	Engine Bracket	1
28	111314	Locking Pin	1
29	110664	Clevis - 1 1/4" Vertical Measurement	1
30	933274	Spirol Pin 5/32 x 1 3/8	1
31	111853	PTO Housing Rod	1
32	933506	Hairpin Cotter	1
33	102872	Stub Shaft	1
34	936125	Snap Ring 3/4 External	2
35	936032	Snap Ring 1 3/4 Internal	1
36	5196 ← 109842	Ball Bearing	1
37	103478	Pulley Houding	1
38	106769	Needle Bearing	1
39	6663	Seal	1
40	6658	Bearing Race	1
41	908002	Nylok Bolt 1/4-20 x 5/8	4
42	6659	Retainer	2
43	111238	Clutch Plate & Facing	1
45	106695	Push-on Ring	1
47	920081	Lock Washer 1/4	1

SECTION 15 - SEAT AND DECALS



1563

Figure 15-1 Seat

SECTION 15 - SEAT AND DECALS

ITEM	PART NUMBER	DESCRIPTION	8-Speed
	Figure 15-2 DECALS		
1	111866	Decal-Hood RH	X
2	111867	Decal-Hood LH	X
4	111510	Decal-Parking Brake	1
5	111511	Decal-PTO Clutch	1
9	110629	Decal-Rear Fender	1
11	110626	Decal-Hood Front	1
13		Loose Parts Package	
14	111501	Decal-Switch Plate	1
15	111865	Decal-Lower Dash Throttle	1
16	111194	Decal-Rear Hood	1
17	111543	Decal-Hi-Low Shift	1
18	110718	Decal-8-Speed	2
20	106722	Decal-Tach-a-matic	1
21	112168	Decal-lift	1
22	110831	Vinyl Tractor Cover (Optional)	X
24	111926	Decal-Electrical System	1
25	104955	Decal-Unidrive	1
29	112678	Decal-Danger	1
30	112679	Decal-Danger	1
31	112403	VIN Tag Overlay	1

SECTION 15 - SEAT AND DECALS

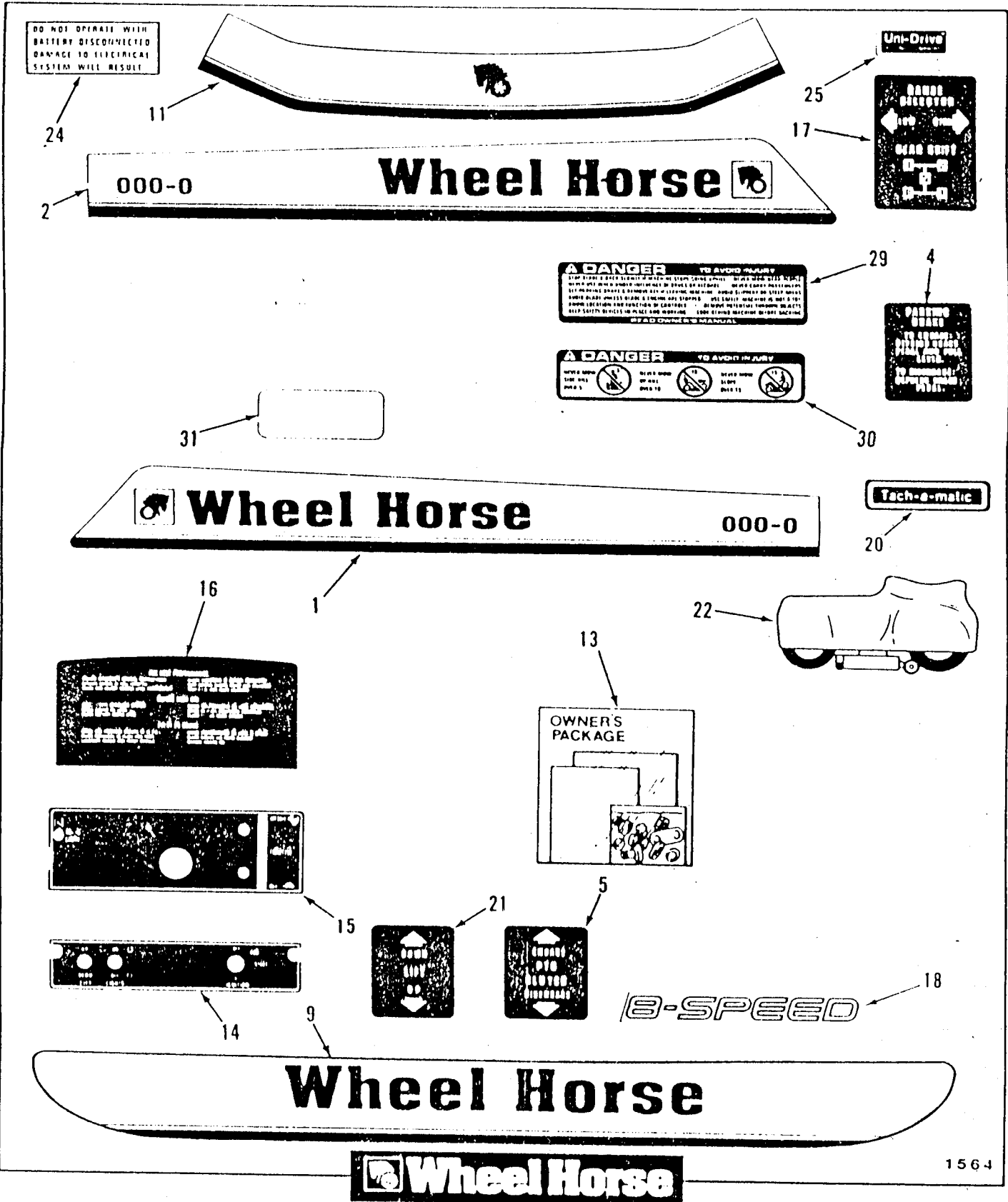


Figure 15-2 Decals

SECTION 15 - SEAT AND DECALS

ITEM	PART NUMBER	DESCRIPTION	8-Speed
	Figure 15-2 DECALS		
1	111866	Decal-Hood RH	
2	111867	Decal-Hood LH	
4	111510	Decal-Parking Brake	
5	111511	Decal-PTO Clutch	
9	110629	Decal-Rear Fender	
11	110626	Decal-Hood Front	
13		Loose Parts Package	
14	111501	Decal-Switch Plate	
15	111865	Decal-Lower Dash Throttle	
16	111194	Decal-Rear Hood	
17	111543	Decal-Hi-Low Shift	
18	110718	Decal-8-Speed	
20	106722	Decal-Tach-a-matic	
21	112168	Decal-lift	1
22	110831	Vinyl Tractor Cover (Optional)	1
24	111926	Decal-Electrical System	1
25	104955	Decal-Unidrive	1
29	112678	Decal-Danger	1
30	112679	Decal-Danger	1
31	112403	VIN Tag Overlay	1